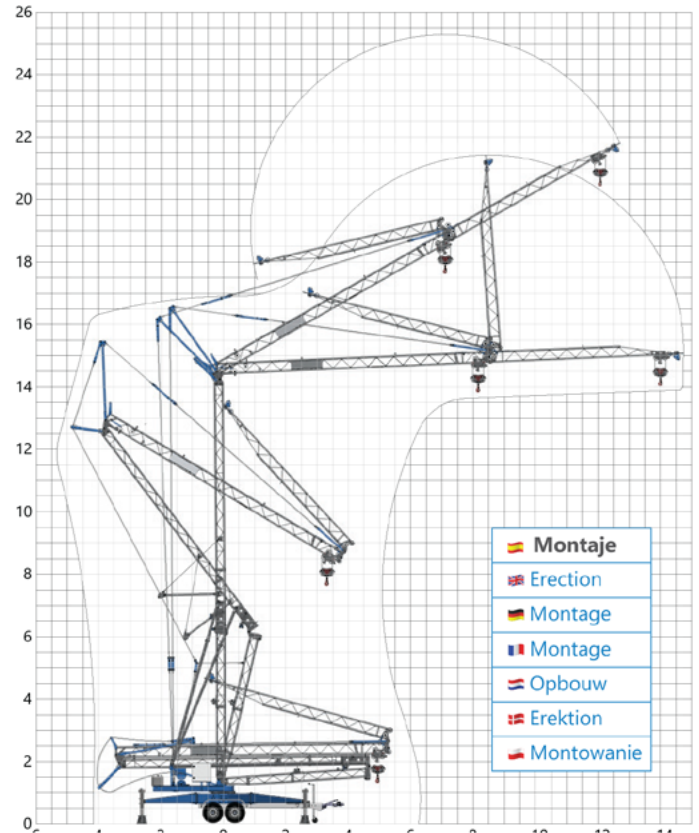
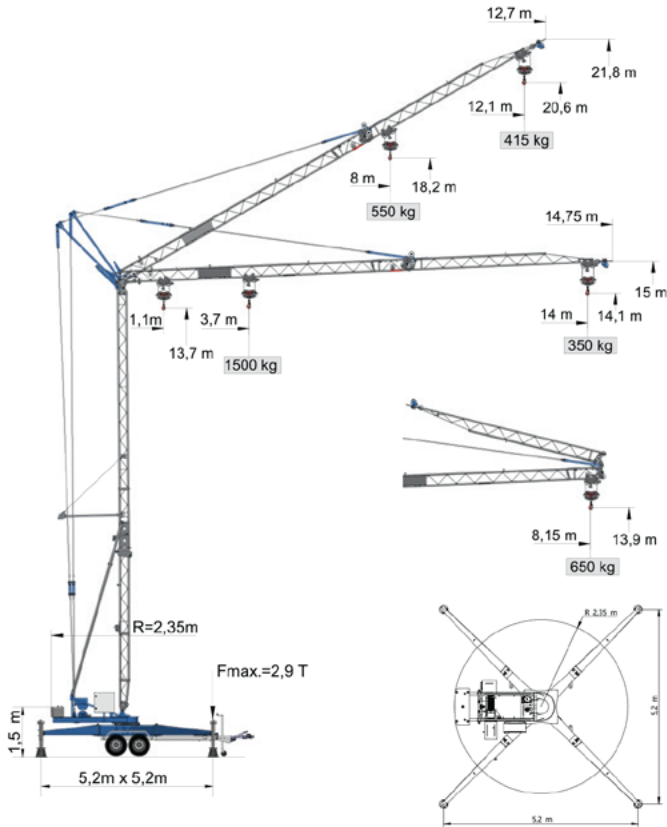
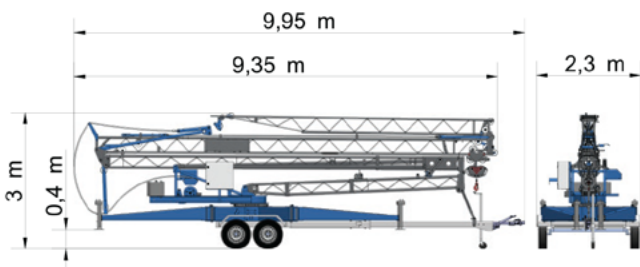


XP VERSION



🇪🇸 Transporte
🇬🇧 Transport
🇩🇪 Transport
🇫🇷 Transport
🇳🇱 Transport
🇩🇰 Transport
🇵🇱 Transporte



RD-XP: ROAD EXPRESS TRAILER
B+E: MNR 3500 Kg



🇪🇸 Mecanismos
🇬🇧 Mechanisms
🇩🇪 Triebwerke
🇫🇷 Mécanismes
🇳🇱 Mechanismen
🇩🇰 Mekanismer
🇵🇱 Mechanizmy

		1st	2nd	3rd	
↔	m/min	8,60	21,50	-	
	rpm	0,38	1,00	-	
↕	Horiz	m/min	11	19	29,50
		Kg	≤ 1500	< 800	< 500
	M E D	m/min	11	19	29,50
		Kg	≤ 1150	< 550	< 400
	M I N	m/min	11	19	29,50
		Kg	≤ 650	< 550	< 400
30°	m/min	11	19	29,50	
	Kg	≤ 650	< 550	< 300	
1/2 JiB	m/min	11	19	29,50	
	Kg	≤ 800	< 750	< 400	

🔧	KW	CV
↑	2,20	3,00
↻	0,55	0,75
↔	0,75	1,00
🔧	0,75	1,00
🔧	0,37	0,50

🔌 230V 50 Hz 16 A 4 KVA



🇪🇸 Contrapesos

🇬🇧 Ballast 🇩🇪 Gegengewichte 🇫🇷 Contrepoids 🇳🇱 Ballast 🇩🇰 Ballast 🇵🇱 Przeciwwagi

KG	SC ST	SC RD-XP	ST	RD	RD-XP
FIX	-	600	-	600	540
EXTRA	600		2000	1000/1400	-